



model 7720DT



- 77 in. (1956 mm) probe cylinder stroke allows use of 60 in. (1,524 mm) probe rods
- Over 20 ton pulling capacity for today's larger sampling tools and deeper depths
- Equipped with the powerful GH62 Hammer
- Heavy Duty Undercarriage has a wider track that carries more weight, adds more torque, reduces ground pressure and handles greater tool weight
- Wireless remote control
- Built-in rotary spindle for concrete drilling, augering, and anchoring
- Equipped with a hydraulic winch for handling augers and tripping dual tube sampling tools
- Two-speed probe cylinder cycles from bottom to top in less than 8 seconds
- Powered by a four-cylinder, 54 Hp, liquid-cooled Kubota turbo diesel engine
- Hydraulic movement in all three axes allows easy probe alignment with tool string
- Auxiliary hydraulic ports provide power for remote equipment



Model 6620DT Specifications

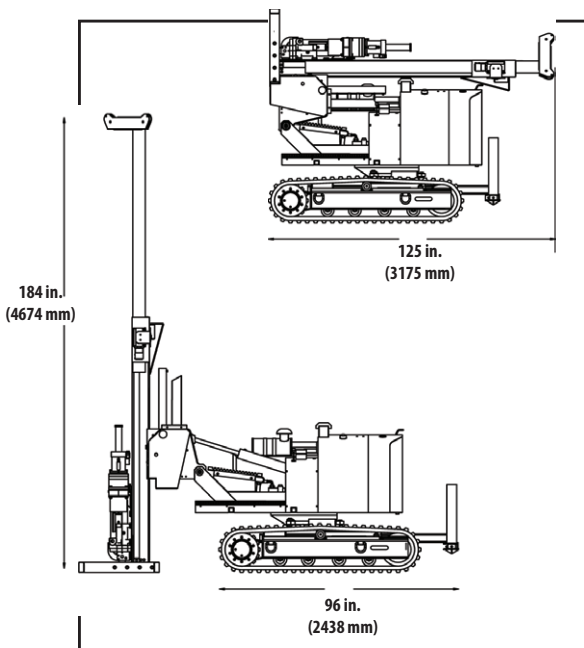
| | | |
|--------------------------------------|--------------------------|-------------------------|
| Stroke..... | 77 in. | 1956 mm |
| Weight..... | 6,850 lb. | 3110 kg |
| Width..... | 60 in. | 1524 mm |
| Length (folded)..... | 125 in. | 3175 mm |
| Height (folded)..... | 89 in. | 2260 mm |
| Height (unfolded)..... | 184 in. | 4674 mm |
| Lateral Movement (side-to-side)..... | 33 in. | 838 mm |
| Foot Travel..... | 39 in. | 991 mm |
| Extension..... | 15 in. | 381 mm |
| Down Force..... | 35,000 lb. | 160 kN |
| Retraction Force..... | 47,000 lb. | 214 kN |
| Hydraulic Pressure (system)..... | 2,450 psi | 169 bar |
| Hydraulic Flow Rate (system)..... | 30 gpm | 114 Lpm |
| Hammer System..... | GH62 | |
| Percussion Rate..... | 32 Hz | |
| Torque (hammer motor)..... | 560 ft. lb. | 759 N-M |
| Rotation Rate (hammer motor)..... | 240 rpm (bi-directional) | |
| Fuel Capacity (diesel)..... | 15 gal | 57 L |
| Engine (diesel)..... | Kubota, 4-cylinder turbo | |
| Engine Power..... | 54 hp | 40 Kw |
| Outrigger Extension..... | 16 in. | 406 mm |
| Travel Speed..... | 0-4.5 mph | 0-7.2kph |
| Surface Load..... | 3.7lb/in ² | 0.26 kg/cm ² |
| Winch Rating..... | 2,350 lb | 1,067kg |
| Winch Speed..... | 0-110 fpm | 0-33.5 m/min |

Augerhead Specifications

| | | |
|---|---------------|----------|
| Torque (high torque/low speed)..... | 3,000 ft. lb. | 4067 N-M |
| Torque (low torque/high speed)..... | 1,500 ft. lb. | 2034 N-M |
| Hex adapter..... | 1-5/8 in. | 41 mm |
| Rotation speed (low speed/high torque)..... | 0-105 rpm | |
| Rotation speed (high speed/low torque)..... | 0-150 rpm | |



Wireless Remote Control



Geoprobe Systems

Model PC111 Model 7730DT Model 6620DT Model 54DT Model 540B

E-specs

We have developed this E-specs document to allow you the ability to quickly compare the features and capabilities of various probe machines offered by Geoprobe Systems® ... the direct push innovators. Unit and tooling specifications are subject to change without notice. If you are interested in a specific Geoprobe® direct push system, please call us at **1-800-436-7762** for a formal, specialized quotation which includes all the details required for purchasing your Geoprobe® system.

Geoprobe Systems

601 N. Broadway • Salina, KS 67401
 1-800-436-7762
 www.geoprobe.com