



# model 5410

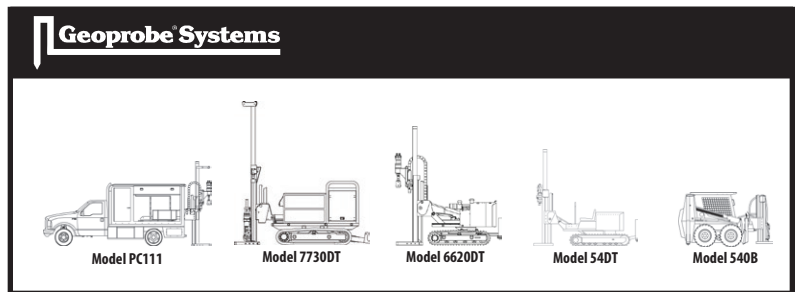
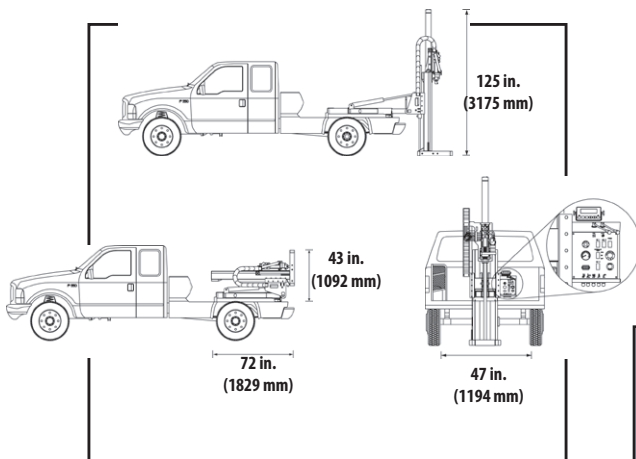


- 54 in. (1372 mm) stroke
- Electronic Depth Indicator
- Two-speed Pull Cylinder ... standard equipment
- 28,900 lb. (128 kN) pulling capacity
- Rod Grip Pull Block ... standard equipment
- Equipped with GH42 Soil Probing Hammer
- Double the structural strength
- Hydraulic lateral movement for offset placement of probes
- Hydraulically-powered from the vehicle engine
- Compatible with most Geoprobe® Tooling and Logging Equipment



### Model 5410 Specifications

Stroke .....	54 in.	1372 mm
Weight .....	1,680 lb.	763 kg
Width .....	47 in.	1194 mm
Length (folded) .....	72 in.	1829 mm
Height (folded) .....	43 in.	1092 mm
Height (unfolded) .....	125 in.	3175 mm
Lateral Movement (side-to-side) .....	33 in.	838 mm
Foot Travel .....	39 in.	991 mm
Extension .....	20 in.	508 mm
Probe Cylinder Diameter .....	4 in.	102 mm
Down Force .....	21,700 lb.	97 kN
Retraction Force .....	28,900 lb.	128 kN
Hydraulic Pressure (max.) .....	2,300 psi	159 bar
Hydraulic Flow Rate (high speed) .....	17 gpm	65 L/min
Hydraulic Flow Rate (low speed) .....	13 gpm	49 L/min
Hammer System .....		GH42
Percussion Rate .....		30 Hz
Torque .....	690 ft. lb.	935 N-M
Rotation Rate (bi-directional) .....		85 rpm
Door Height for Deployment (min.) .....	49 in.	1245 mm



**E-specs**

We have developed this E-specs document to allow you the ability to quickly compare the features and capabilities of various probe machines offered by Geoprobe Systems® ... the direct push innovators. Unit and tooling specifications are subject to change without notice. If you are interested in a specific Geoprobe® direct push system, please call us at **1-800-436-7762** for a formal, specialized quotation which includes all the details required for purchasing your Geoprobe® system.

**Geoprobe Systems**

601 N. Broadway • Salina, KS 67401  
 1-800-436-7762  
 www.geoprobe.com